

Silencer and Non-silencer Raincaps

Mercury Products manufactures standard raincaps for heavy-duty exhaust system protection and single-bolt installation.



Applications

Vertical exhaust systems for stationary engine exhaust, construction and agricultural equipment, military vehicles, etc.

Materials

Hot-rolled or cold-rolled steel, stainless steel, aluminized stainless or other upon your request.

Sizes

Diameters range from 1" up to 28" per Mercury Product series charts or an appropriate diameter to meet your application requirements.

Assemblies

Standard, silencer.

Finishes

Zinc-plated, chrome-plated, high-heat paint, polished stainless steel or other upon your request.



About Mercury Products Manufacturers around the world count on us for custom and innovative metal products and assemblies, and have since 1946. Mercury has the resources, flexibility and expertise to handle even the most demanding projects. Our customers have a strategic partner for every step of the process, from engineering and design through testing and manufacturing, because we align our capabilities with their goals. With our products ultimately used for securing and serving the heavy truck, construction, agricultural, automotive and motorcycle market vehicles in addition to industrial, exhaust and other market products, we like to think we help hold the world together!

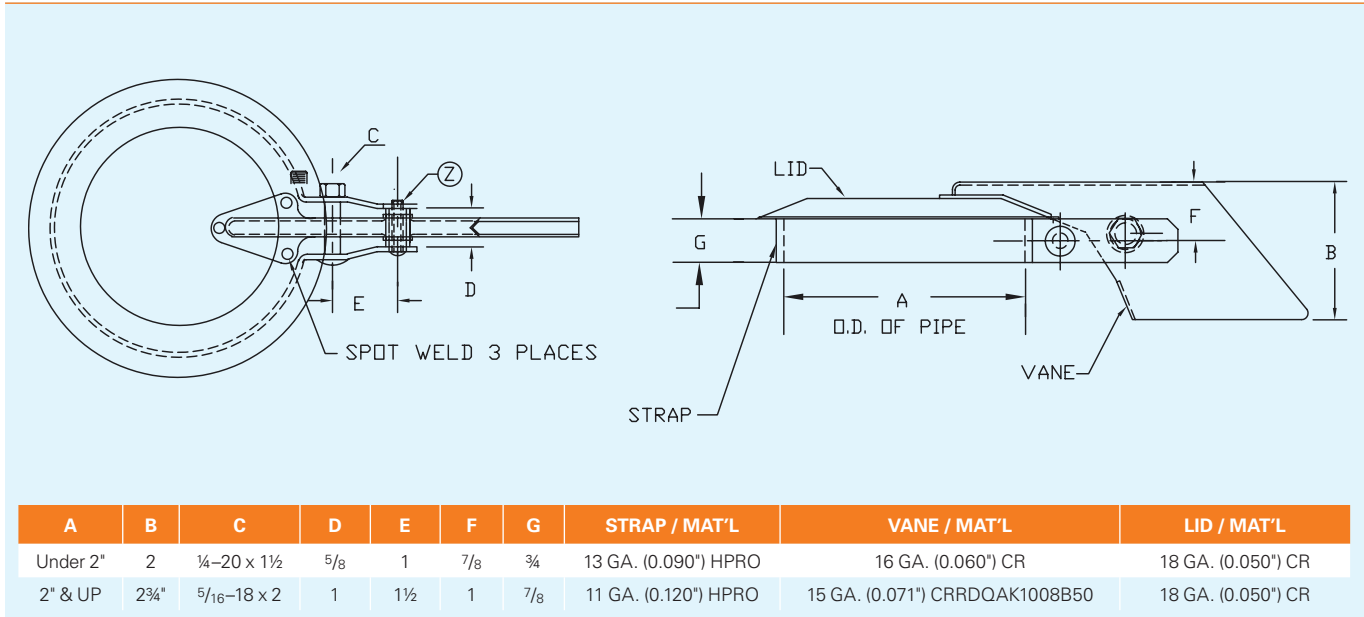
MERCURY PRODUCTS™
ENGINEERED FABRICATIONS & ASSEMBLIES

1201 South Mercury Drive
Schaumburg, Illinois 60193-3598
info@mercprod.com

Certifications:
ISO9001 | ISO/TS16949 | ISO14001
See our website for more information.

Silencer and Non-silencer Raincaps Specifications

Raincap Specifications



Silencer Raincap Specifications

